



ZF812-HDG

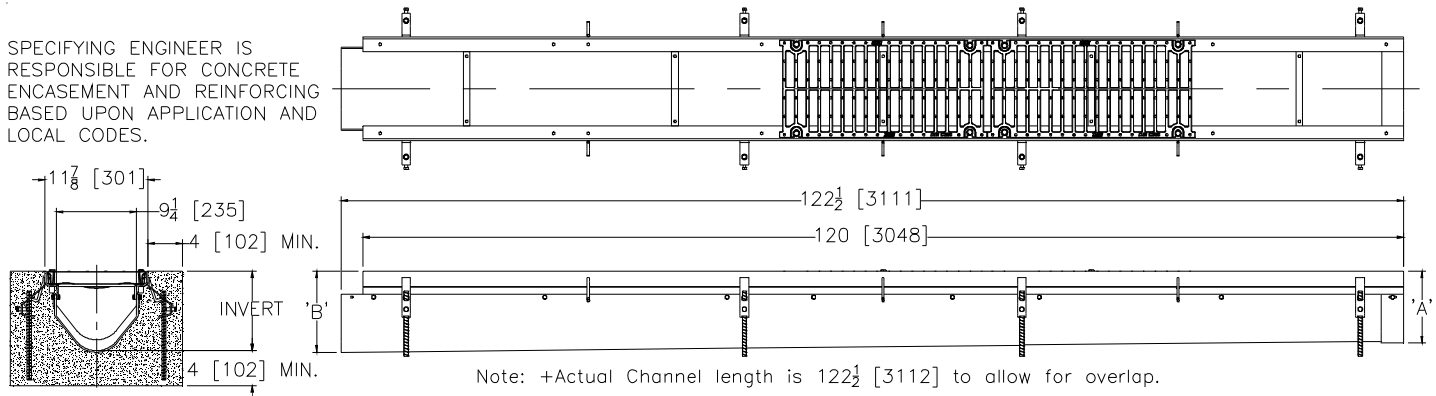
Supplied By:
TRENCH DRAIN SUPPLY

877-903-7246
www.trenchdrainsupply.com

12 [305] WIDE REVEAL FIBER REINFORCED POLYMER TRENCH DRAIN SYSTEM W/ GALVANIZED STEEL FRAME TAG _____

Dimensional Data (inches and [mm]) are Subject to Manufacturing Tolerances and Change Without Notice

SPECIFYING ENGINEER IS RESPONSIBLE FOR CONCRETE ENCASEMENT AND REINFORCING BASED UPON APPLICATION AND LOCAL CODES.



ENGINEERING SPECIFICATION: Zurn ZF812-HDG

Channels shall be 120 [3048] long, 12 [305] wide reveal and have a 9-1/4 [235] throat. Modular channel sections shall be made of Fiber Reinforced Polymer (FRP). Shall have a positive mechanical connection between channel sections that will not separate during the installation. Channels shall weigh less than 5.05 lbs. [2.29kg] per linear foot, have a smooth, 3 [76] radiused self cleaning bottom with a Manning's coefficient of .009 and 1.04% or neutral 0% built in slope. Shall be provided with standard GDC grates that lock down to frame. Zurn 12 [305] wide reveal Galvanized Ductile Iron Slotted Grate conforming to ASTM specification A536, Grade 80-55-06. Galvanized Ductile Iron grate is rated class C per the DIN EN 1433 top load classifications. Supplied in 24 [608] nominal lengths with 13/16 [21] wide slots, and 1-1/2 [38] bearing depth. Grate has an open area of 80.6 sq. in per ft. [171,027 sq. mm per meter]. The #7 gage thick Heavy-Duty Galvanized Carbon Steel Frame Assembly conforms to ASTM specification A36 and Galvanizing conforms to ASTM Specification A123. Frames shall mechanically lock into the concrete surround at a maximum spacing of every 21 [533], with 14 anchors per 120 [3048]. Frames shall have rebar attachment brackets as standard to secure trench to its final location. Grate lockdown bars are to be integral to the frame. All welds must be performed by a certified welder per ASTM standard AWS D1.1. Frames and Channels shall be produced in the U.S.A.

PREFIX OPTIONS (Check/specify appropriate options)

___ ZF Ten-foot Fiber Reinforced Polymer (FRP) *

SUFFIX OPTIONS (Check/specify appropriate options)

Outlet Adapters Add/Each

___ -E1 Closed End Cap ___ -U4 4 [102] No-Hub Bottom Outlet
___ -E4 4 [102] No-Hub End Outlet ___ -U6 6 [152] No-Hub Bottom Outlet
___ -E6 6 [152] No-Hub End Outlet ___ -U8 8 [203] No-Hub Bottom Outlet
___ -E8 8 [203] No-Hub End Outlet

Grate Options (Load Classifications are per DIN EN1433)

___ -DC Ductile Iron Solid Cover - Class C
___ -DGC Ductile Iron Slotted Grate - Class C
___ -DGE Ductile Iron Slotted Grate - Class E
___ -DGF Ductile Iron Slotted Grate - Class F
___ -GDC Galvanized Ductile Slotted Grate - Class C *
___ -GDE Galvanized Ductile Slotted Grate - Class E
___ -GDF Galvanized Ductile Slotted Grate - Class F
___ -GG Fiberglass Grate - Class A
___ -GHPDE Galvanized Heel-Proof Ductile Slotted Grate - Class E
___ -HPD Heel-Proof Ductile Slotted Grate - Class B
___ -HPDE Heel-Proof Ductile Slotted Grate - Class E
___ -RFGC Reinforced Slotted Galvanized Grate - Class C
___ -RPGC Reinforced Perforated Galvanized Grate - Class C
___ -RPGRC Reinforced Perforated Galvanized Reverse Punch Grate - Class C

MADE in the U.S.A.

___ -ADA-USA Meets Americans with Disabilities Act Requirements - Class C
___ -BG Galvanized Steel Bar Grate - Class D
___ -DGC-USA Ductile Iron Slotted Grate - Class C
___ -DGE-USA Ductile Iron Slotted Grate - Class E
___ -FG Fabricated Galvanized Steel Slotted Grate - Class A
___ -GADA-USA Galvanized Ductile ADA Slotted Grate - Class C
___ -GDC-USA Galvanized Ductile Slotted Grate - Class C
___ -GDE-USA Galvanized Ductile Slotted Grate - Class E
___ -GHPDE-USA Galvanized Heel-Proof Ductile Slotted Grate - Class E
___ -HPDE-USA Heel-Proof Ductile Slotted Grate - Class E
___ -PG Perforated Galvanized Steel Grate - Class A
___ -RFG Reinforced Galvanized Slotted Grate - Class B
___ -RPG Reinforced Galvanized Perforated Grate - Class B

*REGULARLY FURNISHED UNLESS OTHERWISE SPECIFIED

Trench No.	'A' Shallow Inv.	'B' Deep Inv.	Flow		
			(cfs)	(gpm)	(lps)
2002	7.93 [201]	9.18 [233]	2.088	937	59
2002N	9.18 [233]	9.18 [233]	-	-	-
2003	9.18 [233]	10.43 [265]	2.730	1225	77
2004	10.43 [265]	11.68 [297]	3.388	1521	96
2004N	11.68 [297]	11.68 [297]	-	-	-
2005	11.68 [297]	12.93 [328]	4.058	1821	115
2006	12.93 [328]	14.18 [360]	4.736	2125	134
2007	14.18 [360]	15.43 [392]	5.420	2432	153
2008	15.43 [392]	16.68 [424]	6.109	2742	173
2008N	16.68 [424]	16.68 [424]	-	-	-
2009	16.68 [424]	17.93 [455]	6.802	3053	193
2010	17.93 [455]	19.18 [487]	7.498	3365	212

Note:

The maximum fluid temperature through the system must not exceed 150°F [66°C] and the range (Max. Temp. to Min. Temp.) must not exceed 100°F [38°C].

Miscellaneous Options

___ -DB Bottom Dome Strainer
___ -JC Joint Connector
___ -VP Vandal-Proof Lockdown

REV. C DATE: 07/10/13 C.N. NO. 129610

PROD/DWG. NO. ZF812-HDG

ZURN INDUSTRIES, LLC ♦ SPECIFICATION DRAINAGE OPERATION ♦ 1801 Pittsburgh Ave. ♦ Erie, PA 16514

Phone: 814/455-0921 ♦ Fax: 814/454-7929 ♦ World Wide Web: www.zurn.com

In Canada: ZURN INDUSTRIES LIMITED ♦ 3544 Nashua Drive ♦ Mississauga, Ontario L4V1L2 ♦ Phone: 905/405-8272 Fax: 905/405-1292